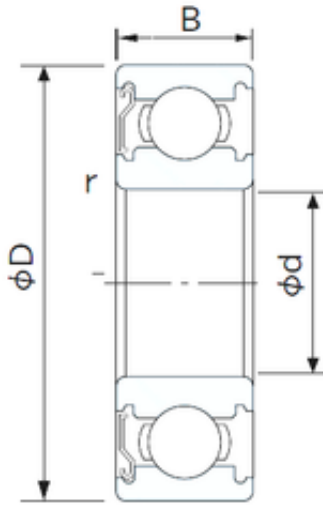




DEMAC (Beijing) Commercial Trading Co...



50 mm x 72 mm x 12 mm CYSD 6910-Z deep groove ball bearings

Bearing No. 6910-Z

Size	50x72x12 mm
Bore Diameter	50 mm
Outer Diameter	72 mm
Width	12 mm
d	50 mm
D	72 mm
B	12 mm
C	12 mm
r min.	0,6 mm
Weight	0,14 Kg
Basic dynamic load rating (C)	12,8 kN

6910-Z Bearing 2D drawings and 3D CAD models