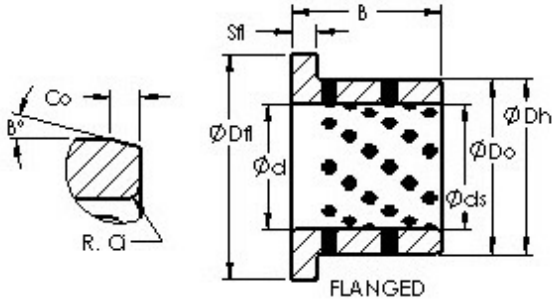




AST AST650 F131915 plain bearings



Bearing No. AST650 F131915

Bore Diameter	13 mm
Outer Diameter	19 mm
Bearing Type	flanged
Shaft Dia., Nominal (d)	13.0000
Housing Bore Dia. (Dh) - 19 +0.021 / -0	19 +0.021 / 0
Bearing Outside Diameter, Nominal(Do)	19.000
Bearing Outside Diameter Tolerance (Do tol.)	19 +0.021 / +0.008
Bearing Bore after Mounting (di)	13 +0.034 / +0.016
Bearing Length, Nominal (B)	15.000
Bearing Length Tolerance (B tol.) - -0.10 / -0.30	0.10 / 0.30
OD Chamfer Length (Co)	2.000
ID Chamfer Angle (B deg.)	15
ID Chamfer Length (Ci)	1.200
Flange Dia. (Dfl pm 0.5)	26.000
Material	Cast bronze with solid lubricant inserts.

AST650 F131915 Bearing 2D drawings and 3D CAD models